

REAL CLEAN

日本のデザイン Designed in Japan

UV-C Air Sanitizer

Model: OPCL-GL15X3



3x UV-C
Powerful
UV-C Lamps
253.7nm

OPTILED®

INDEX

Product Overview	-----	2
Warnings & Safety	-----	3
Getting Started	-----	4-6
Trouble Shooting	-----	6
Warranty & After-Sales Service	-----	6

REALCLEAN Air Sanitizer

日本のデザイン Designed in Japan

Thank you for purchasing Optiled REALCLEAN UV-C Air Sanitizer. REALCLEAN uses powerful UV-C technology to disinfect the air. Before you start using REALCLEAN, please ensure you have read this instruction manual, including warnings and safety precautions, and followed the directions for installation, use and maintenance. Please keep this instruction manual for future reference.

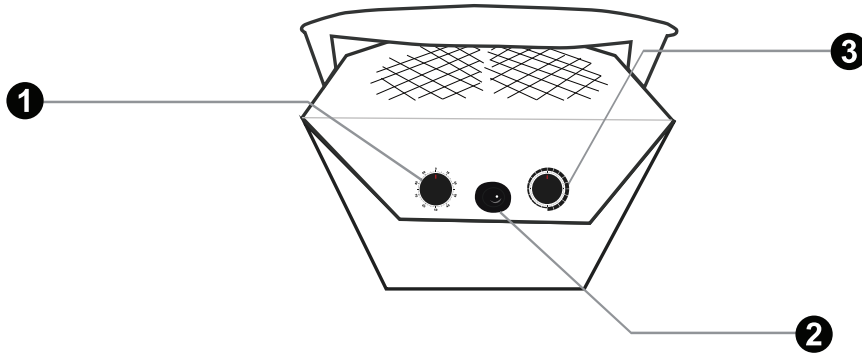
This appliance can be used by people with reduced physical, sensory or mental capabilities or lack of experience and knowledge if they have been given supervision or instruction concerning use of the appliance in a safe way and understand the hazards involved.

If any damages or malformed were found to the product, please immediately contact the relevant distributor, service agents or manufacturer for a repair or replacement.

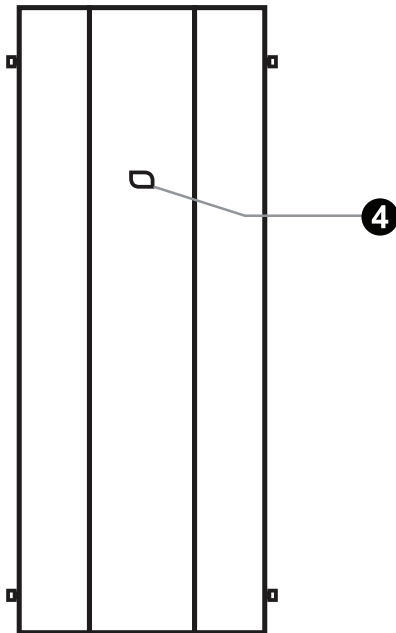
*Your WARRANTY CARD is attached to the end of this instruction manual. Please check the date of purchase and the name of store are correctly recorded, etc.

Product Overview

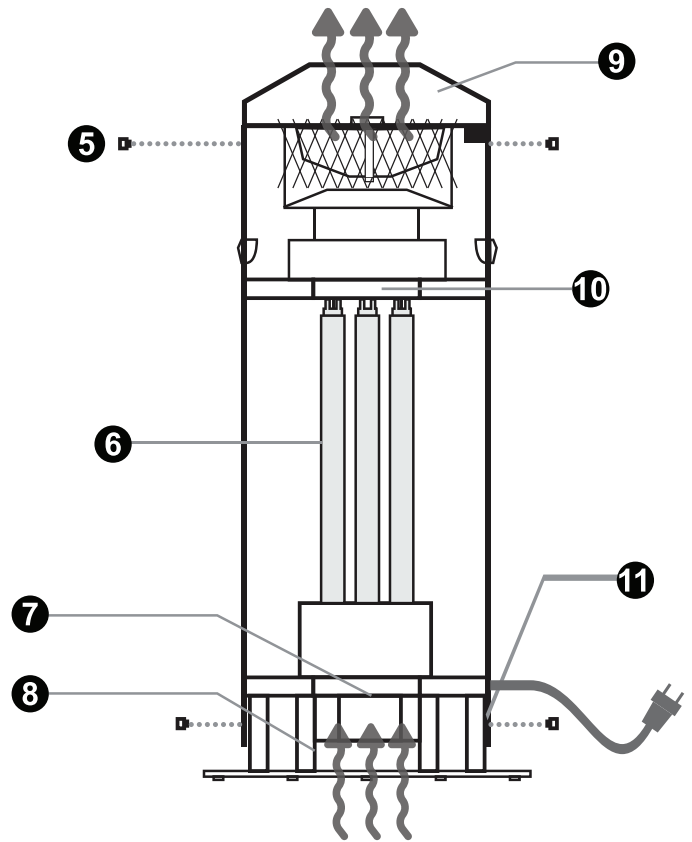
Top View



Front View



Internal Structure



- | | |
|--------------------------------|------------------|
| 1 Timer Knob | 6 3x UV-C Lamps |
| 2 Power Button | 7 Fan |
| 3 Fan Speed Knob | 8 Fan guard |
| 4 Indicator Light | 9 Air Reflector |
| 5 Front Cover Screws (4 parts) | 10 Safety Sensor |
| | 11 Air Inlet |

specification

Model	OPCL-GL15X3	Power Consumption	55W
Color	(B): Black (W): White	Weight	13.5kg
Lamp Base	GL15	Operating Temperature	5°C~35°C
Input Voltage	AC220-240V	Application	Indoor use
Frequency	50/60Hz	Waterproof	Non-waterproof
Room Size	84m ³ / 904ft ³	Sanitization Time	1 hour

Warnings & Safety

WARNINGS

Photobiological

Skin or eye damage may result from directly viewing the light produced by the lamp in this product. Always disconnect power before relamping or servicing. Replace lamps with TUV T8 double ended germicidal UVC lamps (GL15W). For list of approved replacement lamps, visit website.

Always ensure the product is DISCONNECTED from the power socket and switched OFF before installation, lamp replacement and any cleaning or maintenance. Failure to do so may cause electric shock or damage to eyes and skin.

UV-C rays may leak from the product when the main body is deformed or damaged, or any other parts of the product are broken. If the product is physically damaged, stop using and disconnect it from the power socket to avoid any potential UV-C exposure. Request repair immediately.

Electrical

Direct electrical contact with a power supply can cause electric shock. Do not open the product it is connected to power or switched on.

Do not insert any metal objects into the air inlet and outlet of the product, doing so may cause fire or electric shock.

Use the correct voltage for your product. Incorrect voltage supply may result in fire, electric shock or product malfunction.

Do not plug in the product with wet hands, this may cause an electric shock.

Mechanical

Do not pull, twist, bend or use any excessive force on the power cord as it may damage the cord, which could cause product malfunction, or possible fire or electric shock.

Allow 5 minutes for the product to cool down before handling.

SAFETY PRECAUTION

Environment

The product is for indoor use only. Do not use outdoor, or in wet areas.

Use this product in ambient temperature range of 5°C to 35°C. Operation above this range may increase risk of fire or electric shock. Operation below this range may cause product malfunction.

Do not use the product in flammable environments.

Do not use this product in places with excessive vibrations or mechanical shocks, or in a corrosive atmosphere. This may cause fire or electric shock due to deterioration of equipment.

This product is not waterproof. Do not use in areas with high humidity (above 85%).

Do not use the product on unstable surfaces, or elevated surfaces (e.g. table).

Do not cover or obstruct the air inlet or outlet during operation.

Maintenance and cleaning

Regular inspection of the product is required to prevent malfunction.

The UV-C lamps are made of glass and must be handled with care. Do not drop or bump them on hard surfaces. Use of gloves and safety eye wear is recommended when installing, replacing, or cleaning UV-C lamps

If a lamp breaks, ventilate the room for 30 minutes and remove all parts, preferably with gloves. Do not use a vacuum cleaner. Place broken lamp parts in a sealed plastic bag and take it to your local waste facility for recycling. For your lamp recycling information in Hong Kong, visit https://www.wastereduction.gov.hk/en/household/flrp_intro.htm

Install the UV-C lamps with care. Pushing or turning the UV-C lamps with excessive force may damage the lamp caps or the UV-C lamps.

Replace the UV-C lamps every 8,000 hours of operation.. Operation beyond the lifetime of the UV-C lamps will reduce the disinfection efficiency and effectiveness.

Ensure the UV-C lamps are installed properly every time following cleaning or replacement.

Clean the UV-C lamps, inlets and outlets as per instructions at least every 2 months. The disinfection efficiency will be reduced if dust accumulates on the UV-C lamps or in the air inlet and outlets.

Mechanical

To carry or move the product, use the handles. Do not lift the product using the air reflector only, as it is heavy and may damage the structure.

Check the product for damage before first use. Do not use a physically damaged product.

Check all cover screws are securely fastened after installation, cleaning or replacement.

⚠ NOTE

A built-in safety switch is designed for this product, so that the product will not operate in the case of incorrect installation.

The indicator light is an LED that does not emit any UV-C radiation.

Always supervise children when they are near the product.

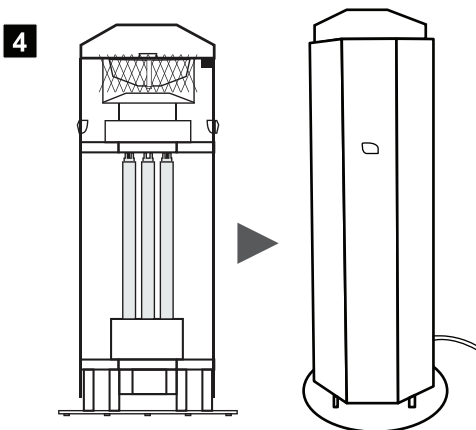
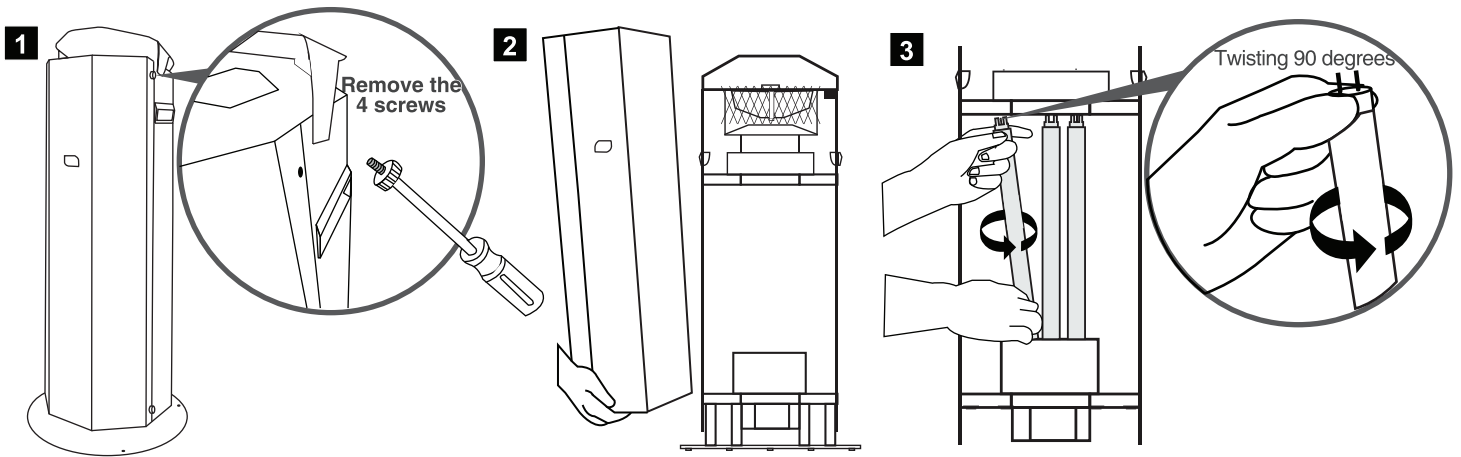
The product may cause interference with other electronic equipment and appliances. If this occurs, increase the distance between the product and other appliances .

Getting Started

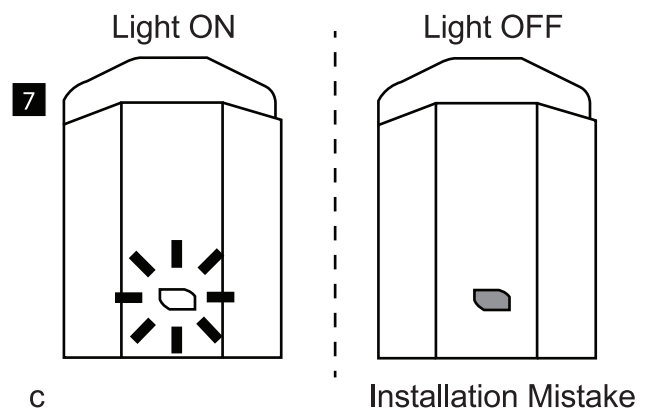
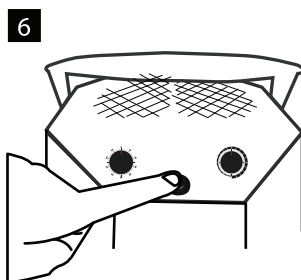
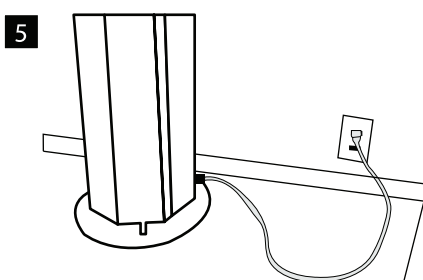
I. Install the UV-C lamps into REALCLEAN



ENSURE YOU HAVE READ ALL THE WARNINGS AND SAFETY PRECAUTIONS BEFORE PROCEEDING WITH INSTALLATION. MAKE SURE THE PRODUCT IS DISCONNECTED FROM THE POWER SOCKET AND SWITCHED OFF BEFORE YOU REMOVE THE FRONT COVER.



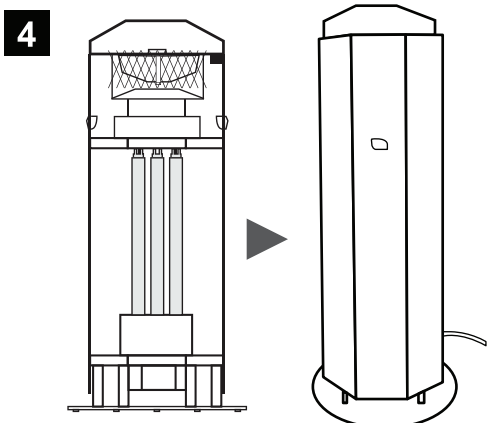
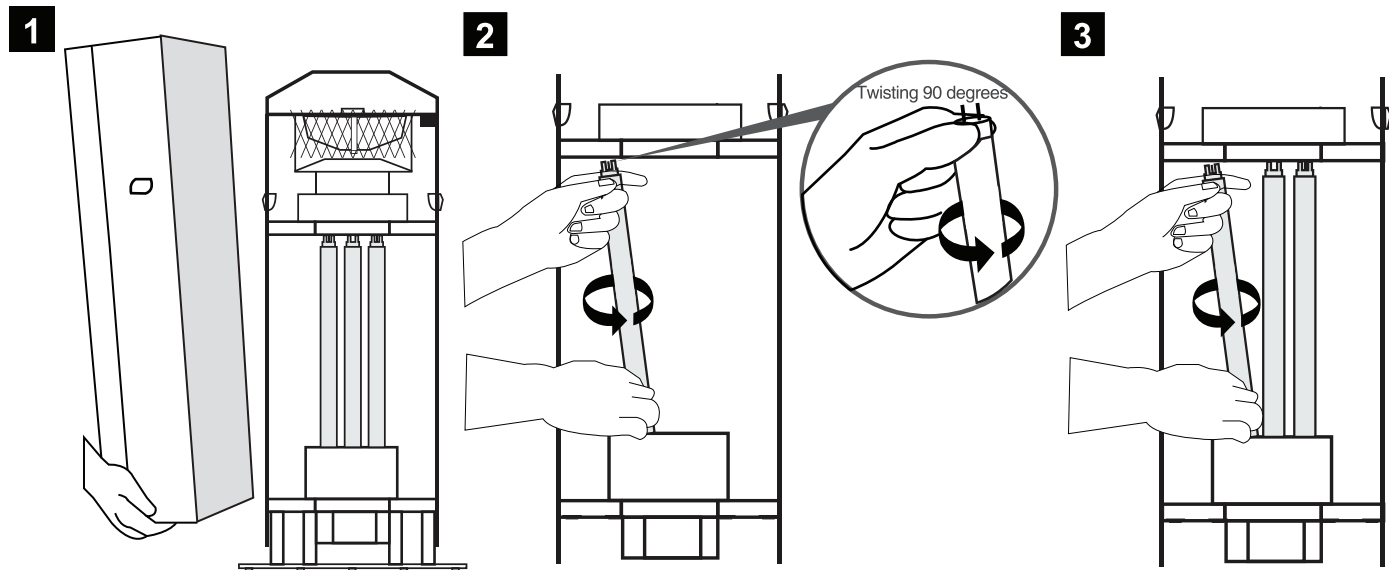
1. Remove the 4 front cover screws with a hexagonal screw driver.
2. Carefully remove the front cover.
3. One by one, insert the 3 UV-C lamps into their lamp holders and gently turn each one 90-degrees to secure in place. (Do not turn lamps 180 degrees)
4. Replace the front cover back and fasten well using the 4 cover screws.
5. Plug the power adaptor into compatible power socket (AC220-240V)
6. Press the power button at the top of the product.
7. Check the indicator light.
 - Light ON, installation is complete.
 - Light OFF, an error may have occurred during installation. Turn off and unplug the product, and repeat the installation process (also see troubleshooting, page 5).



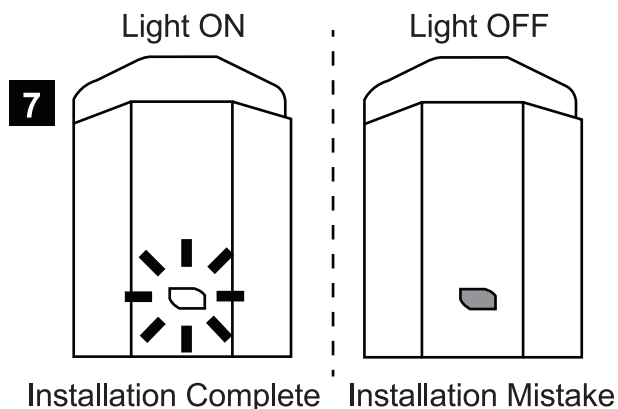
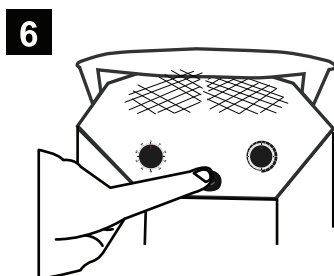
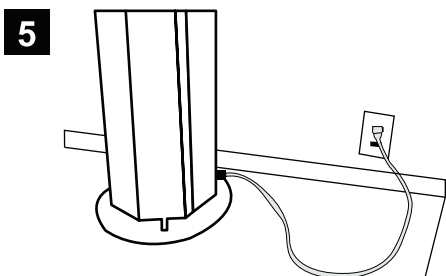
II. Replacing the UV-C Lamps (GL15)



ENSURE YOU HAVE READ ALL THE WARNINGS AND SAFETY PRECAUTIONS BEFORE PROCEEDING WITH LAMP REPLACEMENT MAKE SURE THE PRODUCT IS DISCONNECTED FROM THE POWER SOCKET AND SWITCHED OFF BEFORE YOU MOVE THE FRONT COVER TO REPLACE LAMPS.

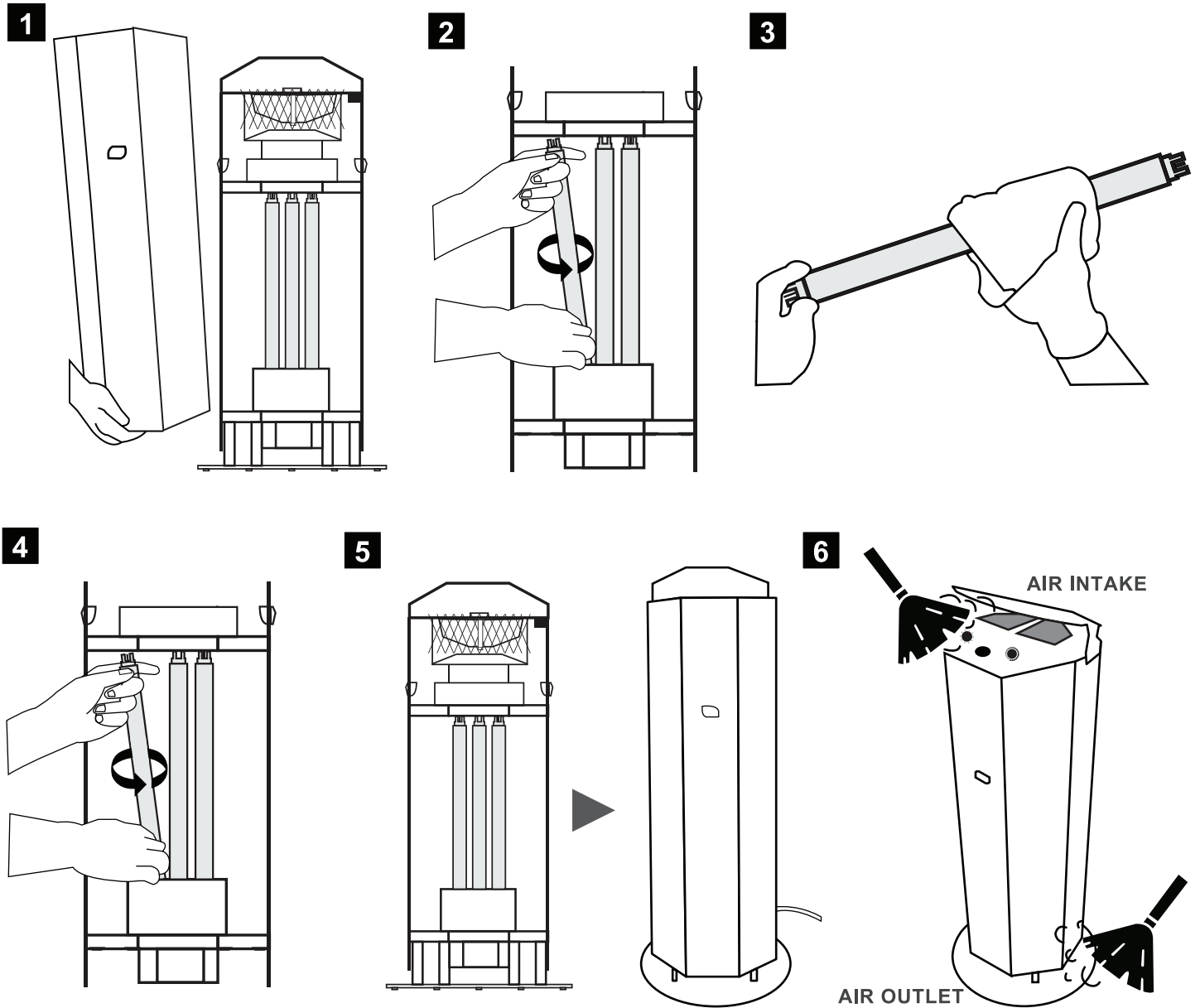


1. Remove the 4 front cover screws and carefully remove the front cover.
2. Carefully remove the UV-C lamp one by one, by twisting 90 degrees until the lamp is easily freed from the lamp holders.
3. One by one, insert the 3 UV-C lamps into their lamp holder and gently turn each one 90-degrees to secure in place. (Do not turn lamps 180 degrees) lamp
4. Replace the front cover and fasten well using the 4 cover screws.
5. Plug the power adaptor into a compatible power socket (AC220-240V)
6. Press the power button at the top of the product.
7. Check the indicator light.
 - Light ON, installation is complete.
 - Light OFF, an error may have occurred during installation. Turn off and unplug



III. Cleaning and Maintenance

! ENSURE YOU HAVE READ ALL THE WARNINGS AND SAFETY PRECAUTIONS BEFORE PROCEEDING WITH CLEANING AND MAINTENANCE MAKE SURE THE PRODUCT IS DISCONNECTED FROM THE POWER SOCKET AND SWITCHED OFF BEFORE YOU REMOVE THE FRONT COVER OR CONDUCT ANY CLEANING OR MAINTENANCE. DO NOT USE ANY DETERGENT OR SOLVENTS IN CLEANING, USE WATER ONLY.



1. Remove the 4 front cover screws and carefully remove the front cover.
2. Carefully remove the UV-C lamp one by one, by twisting 90 degrees until the lamp is easily freed from the lamp holders.
3. Carefully wipe the surface of each lamp with a soft, lint-free cloth to remove any dust.
4. One by one, insert the 3 UV-C lamps into their lamp holder and gently turn each one 90-degrees to secure in place.
(Do not turn lamps 180 degrees) lamp
5. Replace the front cover and fasten well using the 4 cover screws.
6. Using a soft duster, remove any dust accumulated at the air inlet (top) or air outlet (bottom) of the product, as pictured.

Trouble Shooting

Please check the following FAQ if you have problem when using the product.

If you cannot find the problem you encounter below, or these steps do not resolve your issue,, please contact your local dealer.

ISSUE	SOLUTIONS
Q1. The product is not working after I turn it on.	<ul style="list-style-type: none"> • Check if the product is connected to a power socket with correct voltage. (e.g. AC220-240V for Hong Kong) • Check if the front cover is installed properly, with all cover screws fastened securely. • If the product is still not working, it may due to an error in UV-C lamp installation. Please turn off and unplug the product and repeat the lamp replacement process.
Q2. I turn on the product but only the fan is working, the indicator light is still off.	<ul style="list-style-type: none"> • This may be due to the incorrect installation of the UV-C lamps. Please turn off and unplug the product and repeat the lamp replacement process. • If the indicator light is still not working, it may be due to malfunction of the UV-C lamps themselves. Please replace all the three UV-C lamps.
Q3. When I turn on the product, only the indicator light is on, the fan is not working.	<ul style="list-style-type: none"> • This may be due to malfunction of the fan. Please contact your dealer.
Q4. The indicator light is flashing	<ul style="list-style-type: none"> • This indicates that all 3 UV-C lamps have exceeded their recommended hours of operation and are due for replacement.
Q5. When I turn on the product, it appears to create interference with my audio and video appliances (or other electronic equipment).	<ul style="list-style-type: none"> • If this occurs, increase the distance between the REALCLEAN and another appliance.

Warranty And After-Sales Service

If you have any questions about repair, handling, or maintenance, please contact your dealer.

If you are unable to contact your dealer, please contact us directly on our website or email info@lightengine-tech.com.

WARRANTY CERTIFICATE

Model: OPCL-GL15X3

PRODUCTION NO.	Described on the nameplate of the main body
WARRANTY PERIOD	2 year warranty Consumables are excluded (lamp)

* The electrical appliance safety law for this product is classified as "electric disinfectant", but it is not a "medical instrument".

PURCHASE DATE	
---------------	--

CUSTOMER	
NAME	
ADDRESS	
PHONE	

STORE
SHOP NEARBY

Free Warranty Policy

During the warranty period, if the product breaks down under normal use as per the instructions contained in the instruction manual and warning affixed to the product, and without any unauthorized tampering or misuse, a repair service will be provided without any charge.

However, the following instances will not warrant a free repair or replacement, even within the warranty period:

- If the date of purchase, customer name, or store name is not entered in this manual, or if the original text has been overwritten.
- Failure or damage caused by use prohibited in the instruction manual or similar documents, such as incorrect use, improper repair or modification.
- Failure or damage due to relocation, transportation, dropping of the installation location.
- Failure or damage due to fire, pollution, abnormal voltage, unrated working voltage (voltage, frequency), earthquake, lightning strike, wind and flood damage, salt damage, gas damage (sulfur gas).
- When parts need to be replaced due to natural wear and tear, deterioration, etc. of live parts.
- In the case of failure or damage caused by the customer's usage environment or maintenance / management method. (Example: dust, water, rust, invasion of small animals, manure, etc.)
- Failure or damage that occurs when mounted on a vehicle or ship.
- Failure or damage caused by not performing the maintenance and inspection as outlined in the instruction manual.

Additional Remarks

- Even within the warranty period of the product, the retention period of performance parts for repair after the production of the product is discontinued separately determined by us. We may not be able to undertake repairs if parts are no longer available.
- Please note that depending on the condition of the product and other matters, we may replace the product with a new one.
- The warranty period at the time of purchase applies to the warranty period of products that have been repaired free of charge (including product replacement) based on this manual.
- Please note that the information entered by the customer may be used for service activities and safety inspection activities within the warranty period.
- This warranty guarantees free repair under the period and conditions specified in this manual. If you are unsure about repairs after the warranty period has expired. Please contact the store where you purchased the product or us.
- You will need a store stamp and date of purchase stated in this warranty card, or attach the original copy of the delivery note from us to prove the product is still under warranty, you will be eligible for a free repair.
- This manual will not be reissued, so please keep it in a safe place so that you do not lose it.
- This warranty is valid only in Hong Kong.
- Customers are responsible for the shipping charges for repair requests.

OPTILED®

WWW.OPTILED.COM/PRODUCT/UVC